

## ARI-Strainer, made of cast iron, nodular iron and cast steel

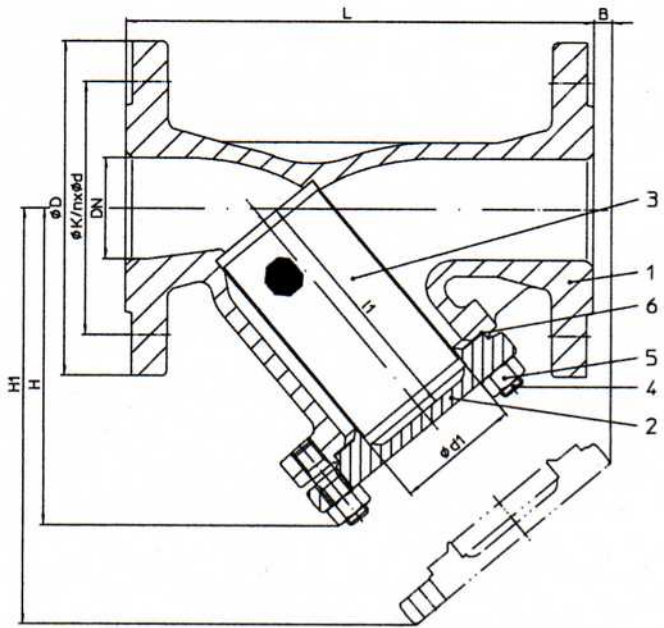


Figure	Nominal pressure	Material	Nominal diameters
10.050	PN 6	EN-JL1040	DN 15-200
12.050	PN 16	EN-JL1040	DN 15-300
22.050	PN 16	EN-JS1049	DN 15-300
23.050	PN 25	EN-JS1049	DN 15-150
34.050	PN 25	1.0619+N	DN 15-200
35.050	PN 40	1.0619+N	DN 15-200

Test: German "TA-Luft" TÜV-Test-No. 922-9204866

### Selection of possible applications:

- Industry
- Vacuum plant
- Powerstations
- Ammonia
- Flue gas purification plant
- Hot water
- Processing technology
- Heating plant
- Gas supply
- District heating
- Vapour facilities
- Cooling and freezing systems
- Thermal oil applications
- General plant manufacturing
- Recycling facilities
- Steam systems

- other applications on request -

### Weights (kg)

Figure-No.	DN	15	20	25	32	40	50	65	80	100	125	150	200	250	300	350	400	500	
10.050		2,5	3,0	4,5	5,5	7,0	9,0	13,0	19,0	26,0	38,0	54,0	110,0	--	--	on request possible in straight through form			
12.050		3,0	4,0	5,0	7,0	9,0	12,0	16,0	21,0	30,0	43,0	61,0	121,0	154,0	335,0				
22.050		3,5	4,0	5,5	7,0	9,0	12,0	16,0	21,0	28,0	41,0	58,0	115,0	154,0	335,0				
23.050		3,5	4,0	5,5	7,0	9,0	12,0	16,0	21,0	32,0	47,0	64,0	--	--	--				
34.050		4,0	5,0	6,0	8,0	10,0	13,0	19,0	24,5	35,0	51,0	71,0	144,0	--	--				
35.050		4,0	5,0	6,0	8,0	10,0	13,0	19,0	24,5	35,0	51,0	71,0	144,0	--	--				

## ARI-Strainer, made of stainless steel (1.4408)

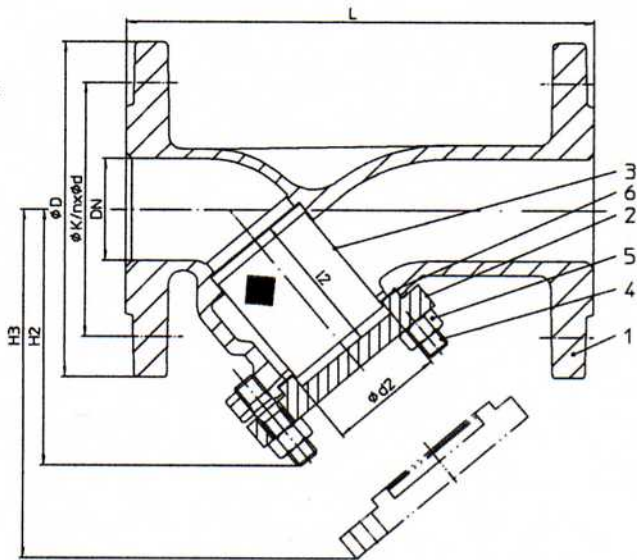


Figure	Nominal pressure	Material	Nominal diameters
52.059	PN 16	1.4408	DN 15-200
54.059	PN 25	1.4408	DN 15-200
55.059	PN 40	1.4408	DN 15-200

Test: German "TA-Luft" TÜV-Test-No. 922-9204866

### Selection of possible applications:

- Recycling facilities
- Processing technology
- Chemical industry
- Process water installations
- Hospital technology
- Installations with aggressive media

- other applications on request -

### Weights (kg)

Figure-No.	DN	15	20	25	32	40	50	65	80	100	125	150	200	250	300	350	400	500	
52.059		4,0	5,0	6,0	8,0	10,0	13,0	19,0	24,5	35,0	51,0	71,0	144,0	on request					
54.059		4,0	5,0	6,0	8,0	10,0	13,0	19,0	24,5	35,0	51,0	71,0	144,0						
55.059		4,0	5,0	6,0	8,0	10,0	13,0	19,0	24,5	35,0	51,0	71,0	144,0						